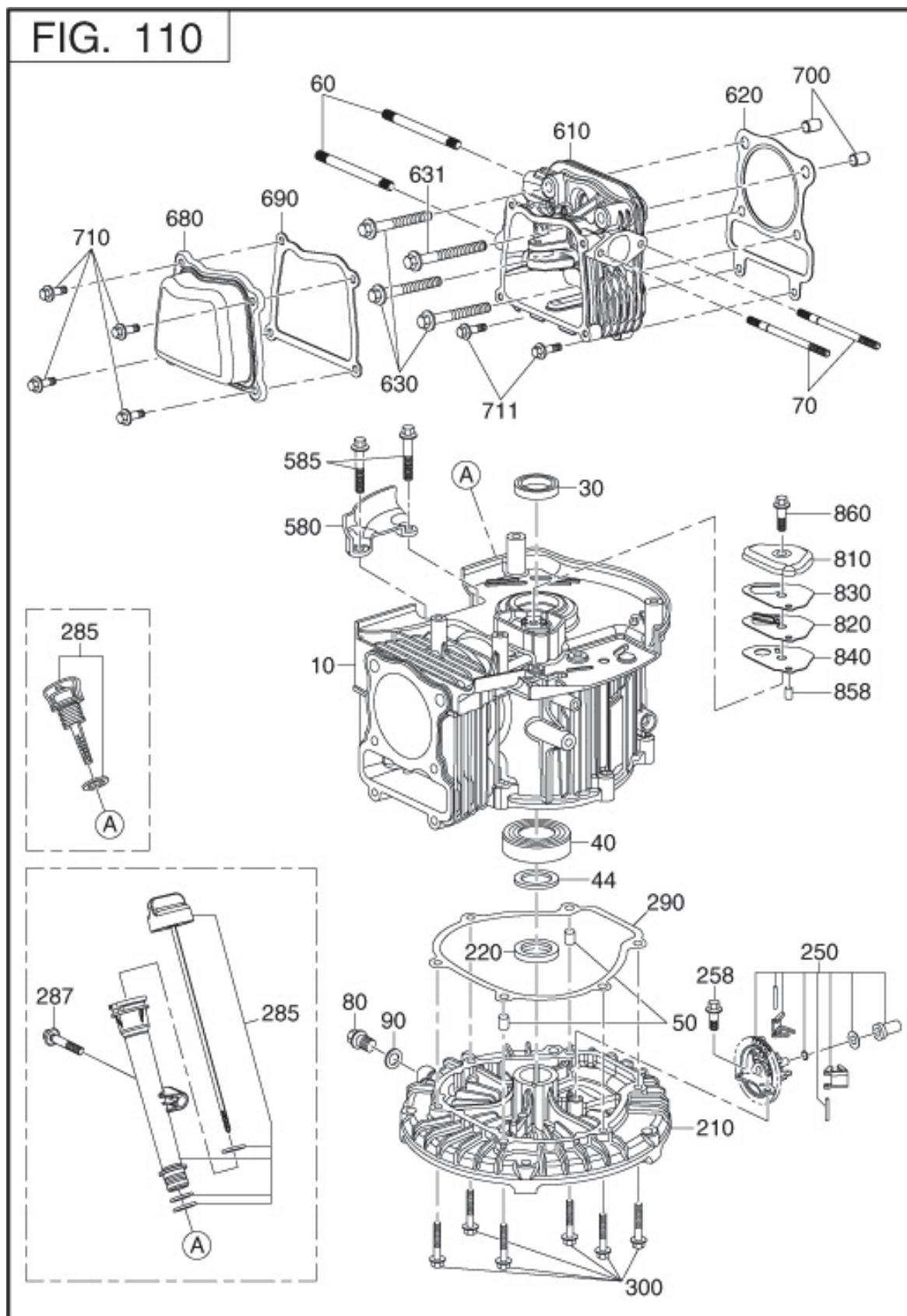


1 CRANK CASE

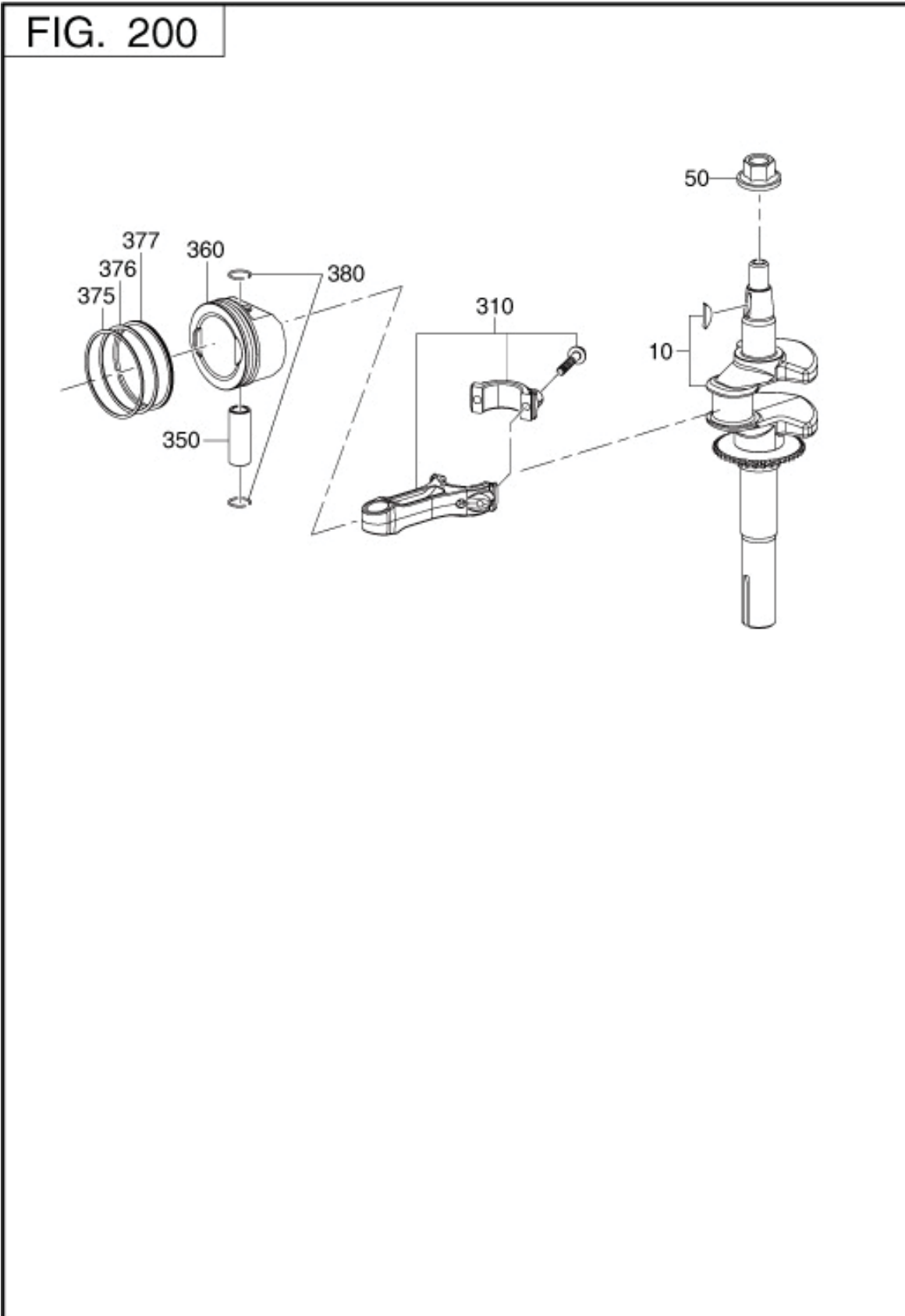


## EA190V70240 FIG.110

| REF. | PART NUMBER    | PART NAME            | CODE NO. | QTY | REMARKS        | INTERCHANGE    |
|------|----------------|----------------------|----------|-----|----------------|----------------|
| 10   | 11310Z02031000 | CRANKCASE ASSY       | -        | 1   |                |                |
| 30   | 90682Z02021000 | OIL SEAL             | -        | 1   | 25DX35DX7B     |                |
| 40   | 90541020500    | BALL BEARING         | -        | 1   |                |                |
| 44   | 90408Z02011000 | WASHER               | -        | 1   | 37DX27.4DX1T   |                |
| 50   | 90502081000    | DOWEL PIN            | -        | 2   | 8DX6.5DX10L    |                |
| 60   | 90204Z02041000 | STUD                 | -        | 2   |                |                |
| 70   | 90204Z02031000 | STUD                 | -        | 2   | M6X100L        |                |
| 80   | 11007Z01011000 | OIL DRAIN PLUG       | -        | 1   |                |                |
| 90   | 90408Z01011000 | WASHER               | -        | 1   | 10DX15.8DX1.5T |                |
| 210  | 11411Z02021000 | CRANKCASE COVER      | -        | 1   |                |                |
| 220  | 90682Z02011000 | OIL SEAL             | -        | 1   | 27DX42DX7B     |                |
| 250  | 16400Z02032000 | GOVERNOR GEAR ASSY   | -        | 1   |                |                |
| 258  | 900070616A1    | BOLT                 | -        | 1   | M6X16L         |                |
| 285  | 15010Z020210Q2 | DIPSTICK ASSY        | -        | 1   |                |                |
| 287  | 900070630A1    | BOLT                 | -        | 1   | M6X30L         |                |
| 290  | 11001Z02013000 | SUMP GASKET          | -        | 1   |                |                |
| 300  | 900070630A1    | BOLT                 | -        | 6   | M6X30L         |                |
| 580  | 19340Z02012000 | AIR GUIDE            | -        | 1   |                |                |
| 585  | 900070616A1    | BOLT                 | -        | 2   | M6X16L         |                |
| 610  | 12140Z02021000 | CYLINDER HEAD ASSY   | -        | 1   |                |                |
| 620  | 12131Z02031000 | CYLINDER HEAD GASKET | -        | 1   |                |                |
| 630  | 12003Z02011000 | BOLT                 | -        | 3   | M8X65L         | 12003Z02022000 |
| 631  | 12003Z02022000 | BOLT                 | -        | 1   | M8X72L         |                |
| 680  | 12411Z02021000 | VALVE COVER          | -        | 1   |                |                |
| 690  | 12004Z02031000 | VALVE COVER GASKET   | -        | 1   |                |                |
| 700  | 90502101400    | DOWEL PIN            | -        | 2   | 10DX8DX14L     |                |
| 710  | 900070614A1    | BOLT                 | -        | 4   | M6X14L         |                |
| 711  | 900070625A1    | BOLT                 | -        | 2   | M6X25L         |                |
| 810  | 11333Z02022000 | BREATHER COVER       | -        | 1   |                |                |
| 820  | 11320Z02012000 | BREATHER             | -        | 1   |                |                |

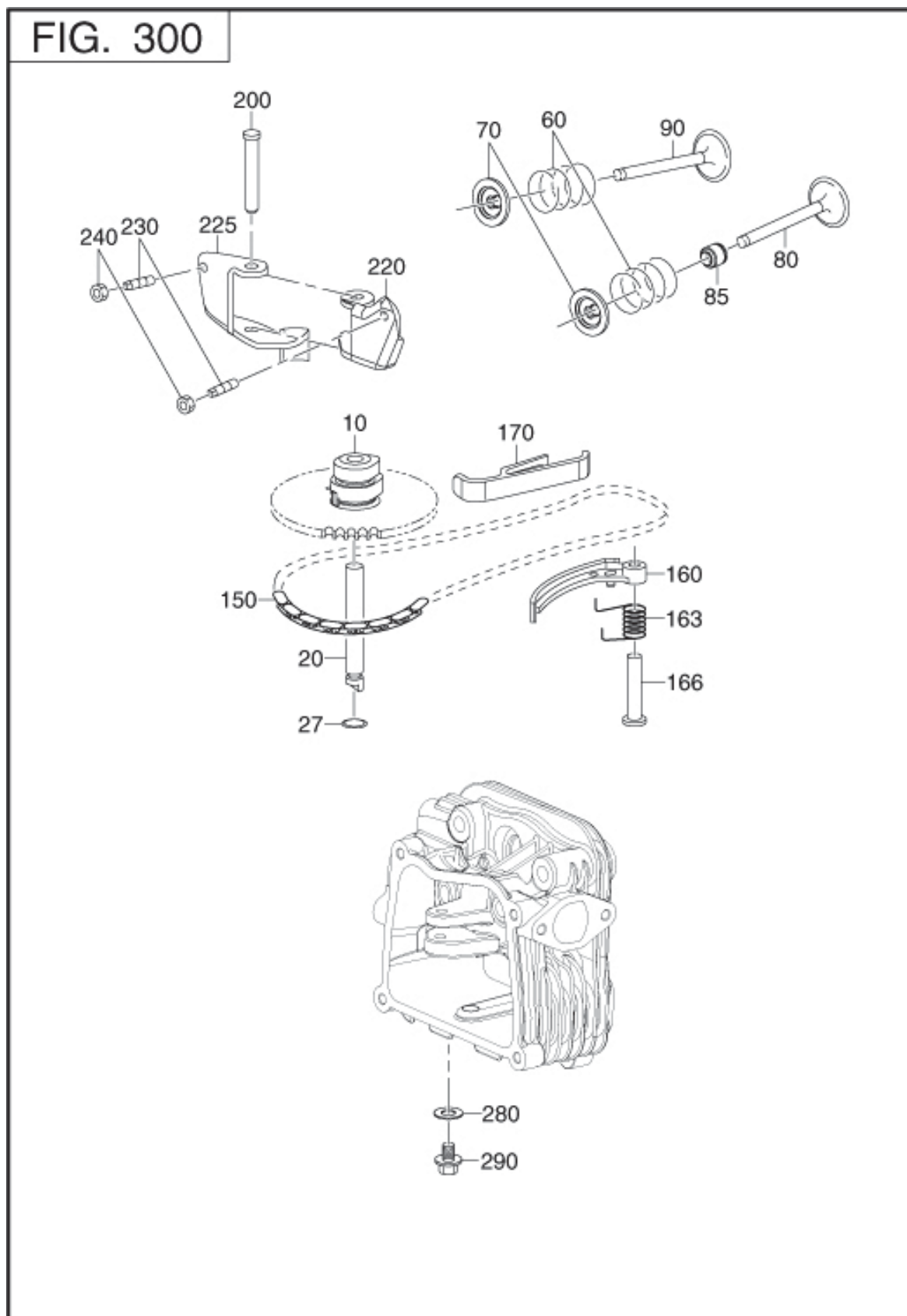
| REF. | PART NUMBER    | PART NAME           | CODE NO. | QTY | REMARKS | INTERCHANGE |
|------|----------------|---------------------|----------|-----|---------|-------------|
| 830  | 11332Z02032000 | BREATHER COV GASKET | -        | 1   |         |             |
| 840  | 11332Z02022000 | BREATHER COV GASKET | -        | 1   |         |             |
| 858  | 90509Z02011000 | DOWEL PIN           | -        | 1   |         |             |
| 860  | 902590620A1    | BOLT                | -        | 1   | M6X20L  |             |

2 CRANKSHAFT,PISTON



| REF. | PART NUMBER    | PART NAME            | CODE NO. | QTY | REMARKS | INTERCHANGE |
|------|----------------|----------------------|----------|-----|---------|-------------|
| 10   | 13300Z02201000 | CRANK SHAFT ASSY     | -        | 1   |         |             |
| 50   | 13501Z01011000 | FLY WHEEL NUT        | -        | 1   |         |             |
| 310  | 13010Z02011000 | CONNECTING ROD ASSY  | -        | 1   |         |             |
| 350  | 13121Z02011000 | PISTON PIN           | -        | 1   |         |             |
| 360  | 13111Z02011000 | PISTON               | -        | 1   |         |             |
| 375  | 13201Z02011000 | FIRST PISTON RING    | -        | 1   |         |             |
| 376  | 13202Z02011000 | SECOND PISTON RING   | -        | 1   |         |             |
| 377  | 13210Z02011000 | OIL RING ASSY        | -        | 1   |         |             |
| 380  | 13122Z02011000 | PISTON PIN SNAP RING | -        | 2   |         |             |

3 INTAKE,EXHAUST

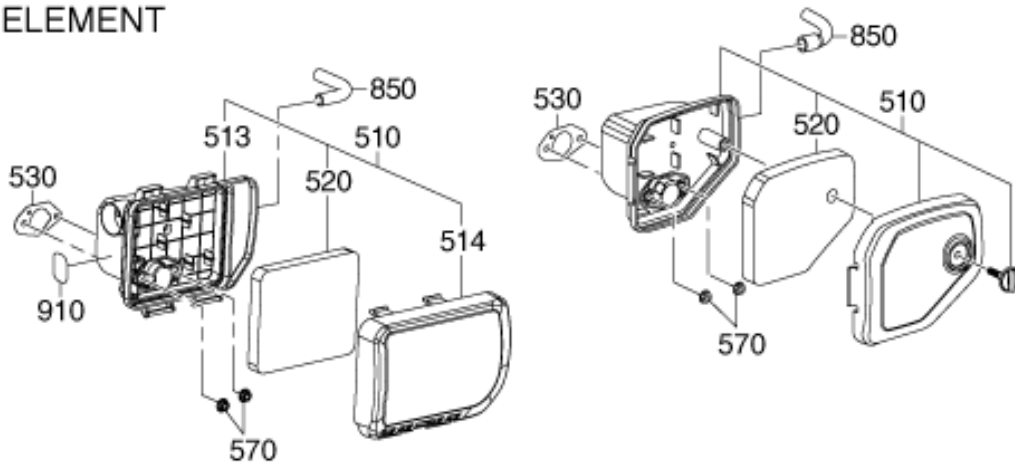


| REF. | PART NUMBER    | PART NAME          | CODE NO. | QTY | REMARKS | INTERCHANGE |
|------|----------------|--------------------|----------|-----|---------|-------------|
| 10   | 14200Z02042000 | CAM GEAR ASSY      | -        | 1   |         |             |
| 20   | 14216Z02011000 | CAM SHAFT          | -        | 1   |         |             |
| 27   | 90681Z02011000 | O-RING             | -        | 1   |         |             |
| 60   | 12103Z01011000 | VALVE SPRING       | -        | 2   |         |             |
| 70   | 12112Z02012000 | SPRING RETAINER    | -        | 2   |         |             |
| 80   | 12111Z02011000 | INLET VALVE        | -        | 1   |         |             |
| 85   | 12101Z01011000 | VALVE SEAL         | -        | 1   |         |             |
| 90   | 12121Z02011000 | EXHAUST VALVE      | -        | 1   |         |             |
| 150  | 90710Z02011000 | CHAIN              | -        | 1   | 88 LINK |             |
| 160  | 14440Z02011000 | TENSIONER          | -        | 1   |         |             |
| 163  | 14402Z02014000 | TENSIONER SPRING   | -        | 1   |         |             |
| 166  | 14403Z02012000 | TENSIONER SHAFT    | -        | 1   |         |             |
| 170  | 14009Z02011000 | CHAIN GUIDE        | -        | 1   |         |             |
| 200  | 14330Z02021000 | ROCKER ARM PIVOT   | -        | 1   |         |             |
| 220  | 14311Z02032000 | INLET ROCKER ARM   | -        | 1   |         |             |
| 225  | 14321Z02032000 | EXHAUST ROCKER ARM | -        | 1   |         |             |
| 230  | 14314Z02021000 | VALVE C/L ADJ STUD | -        | 2   |         |             |
| 240  | 14312Z02021000 | VALVE C/L ADJ NUT  | -        | 2   |         |             |
| 280  | 90406050031    | WASHER             | -        | 1   |         |             |
| 290  | 900070508A1    | BOLT               | -        | 1   | M5X8L   |             |

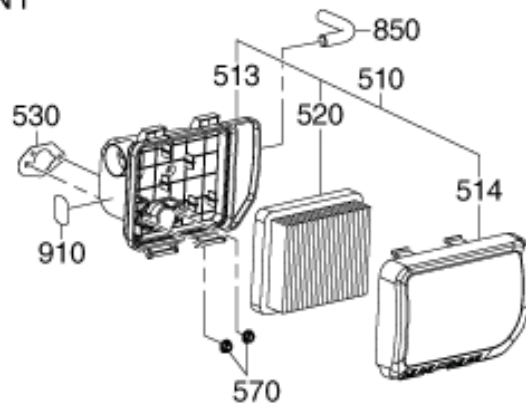
3 INTAKE EXHAUST

FIG. 315

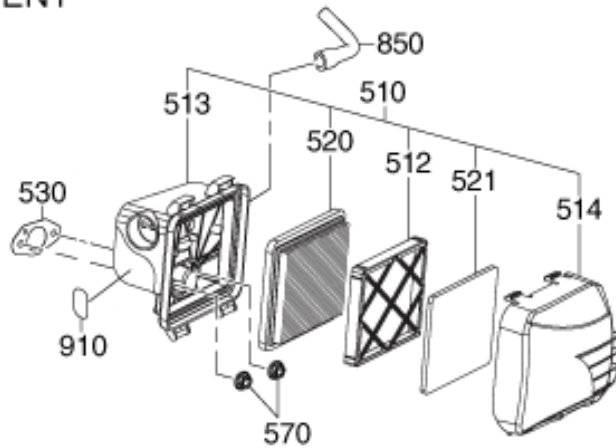
URETHANE FOAM ELEMENT



PAPER ELEMENT



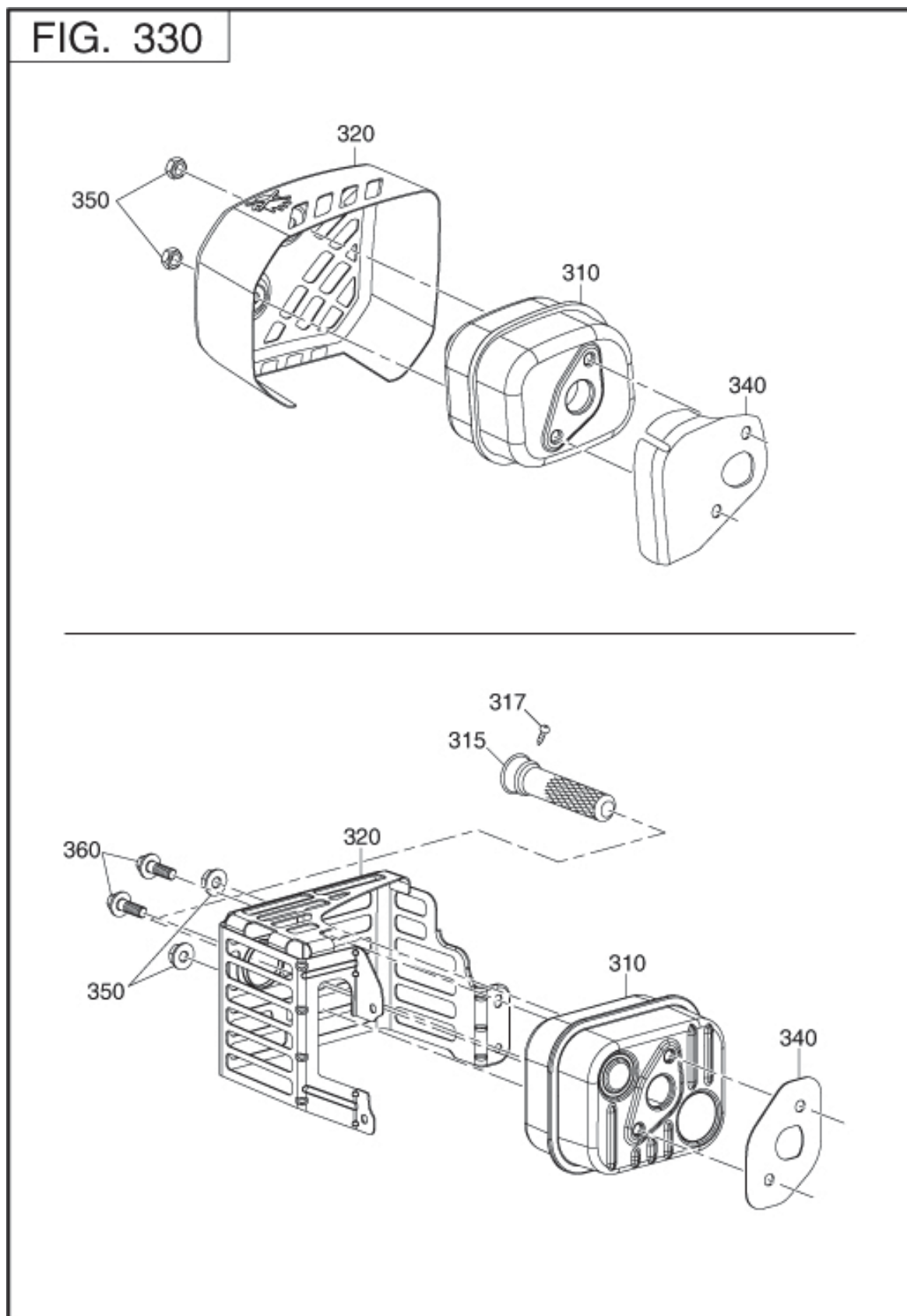
DUAL ELEMENT





| REF. | PART NUMBER    | PART NAME           | CODE NO. | QTY | REMARKS | INTERCHANGE    |
|------|----------------|---------------------|----------|-----|---------|----------------|
| 510  | 17100Z02081000 | AIR CLEANER ASSY    | -        | 1   | PAPER   |                |
| 513  | 17141Z02071000 | AIR CLEANER BASE    | -        | 1   |         |                |
| 514  | 17101Z02041000 | AIR CLEANER COVER   | -        | 1   |         |                |
| 520  | 17150Z03011000 | AIR CLEANER ELEMENT | -        | 1   | PAPER   | 17151Z03011000 |
| 530  | 17001Z02013000 | AIR CLEANER GASKET  | -        | 1   |         |                |
| 570  | 90305060031    | NUT                 | -        | 2   | M6      |                |
| 850  | 17004Z02021000 | BREATHER HOSE       | -        | 1   |         |                |
| 910  | 88008Z02021000 | PRIMER LABEL        | -        | 1   |         |                |

3 INTAKE EXHAUST



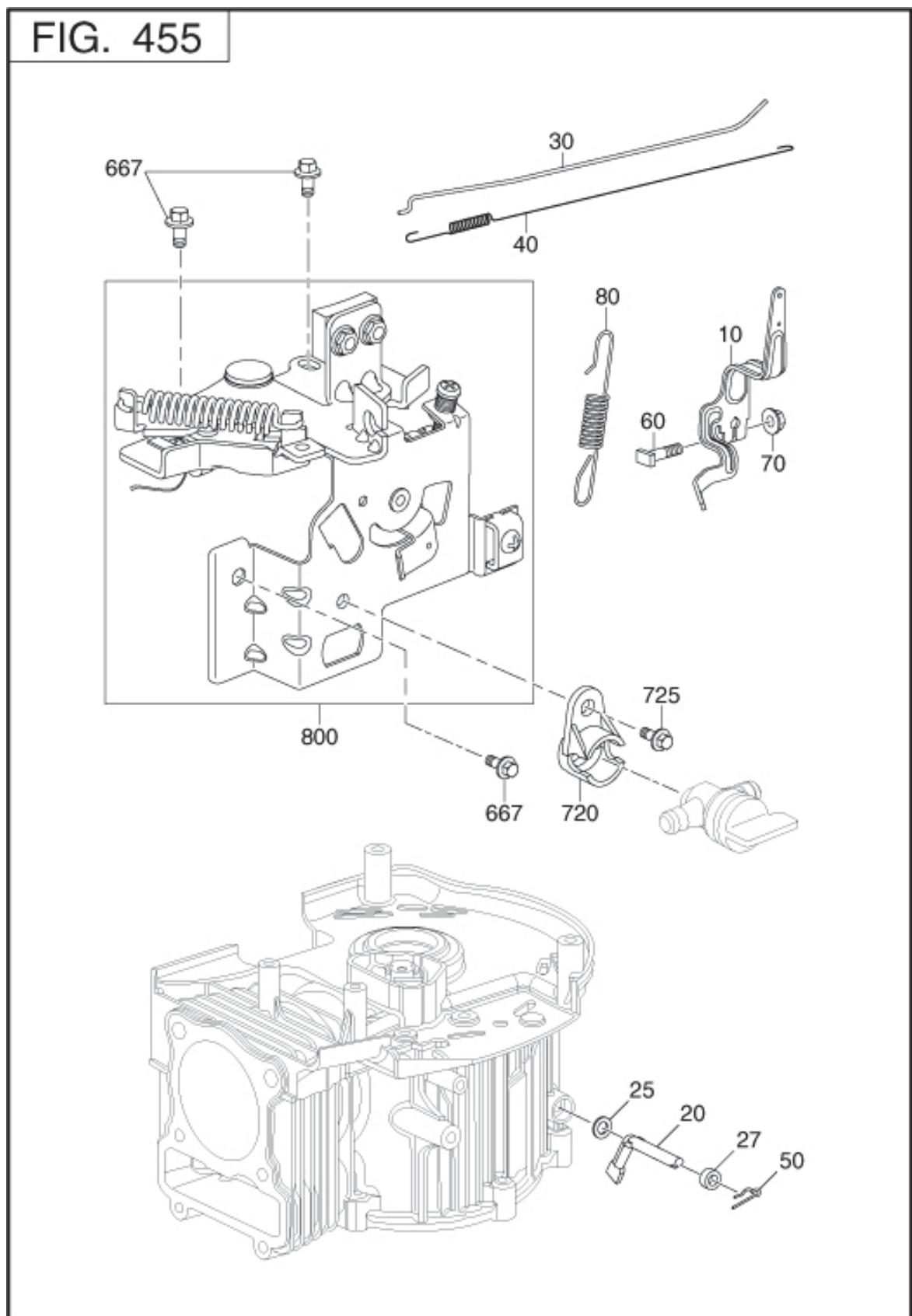
---

EA190V70240 FIG.330

---

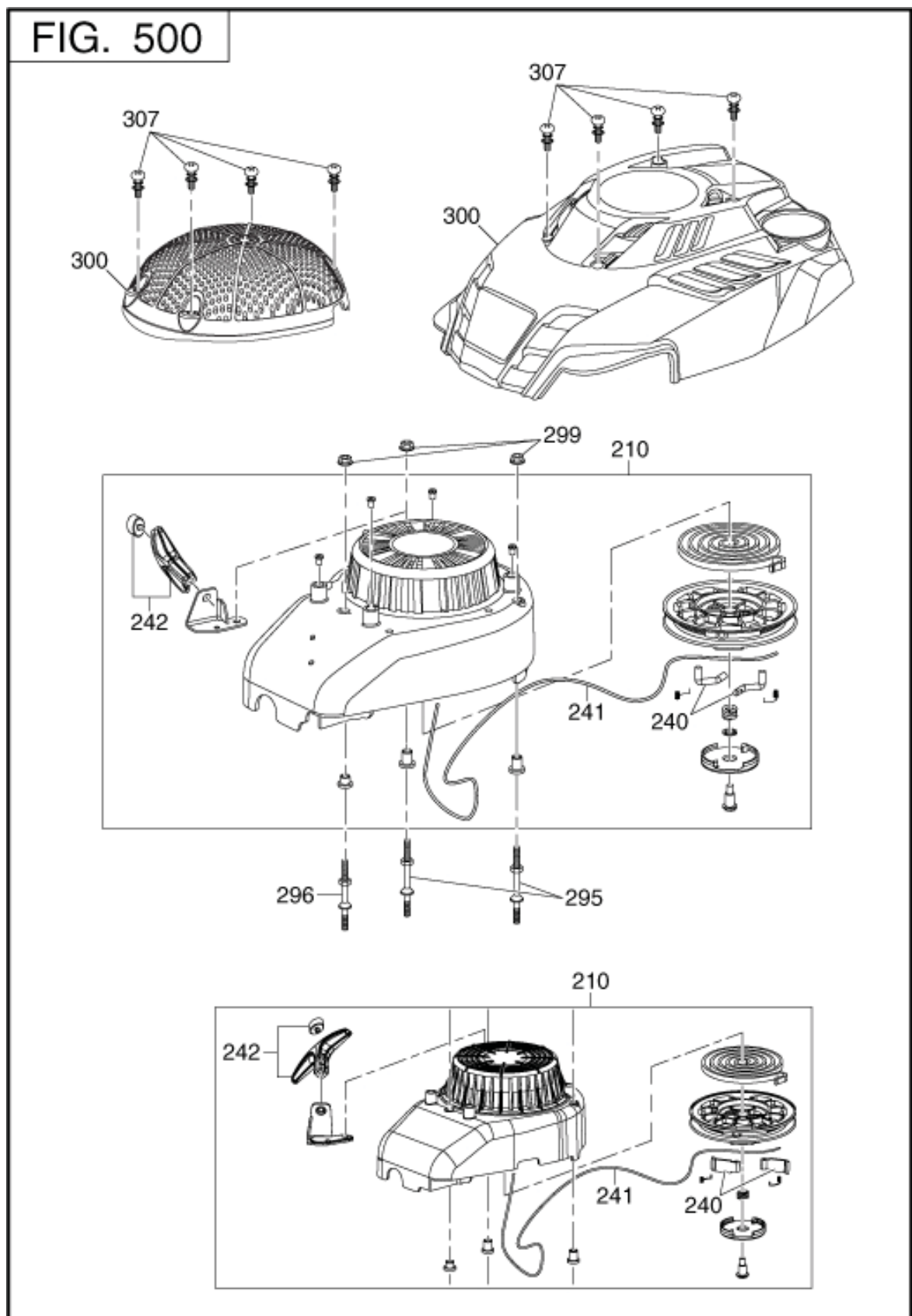
| REF. | PART NUMBER    | PART NAME      | CODE NO. | QTY | REMARKS | INTERCHANGE |
|------|----------------|----------------|----------|-----|---------|-------------|
| 310  | 18100Z02061000 | MUFFLER        | -        | 1   |         |             |
| 320  | 18013Z02011000 | MUFFLER COVER  | -        | 1   |         |             |
| 340  | 18001Z02021000 | MUFFLER GASKET | -        | 1   |         |             |
| 350  | 90305080031    | NUT            | -        | 2   | M8      |             |
| 360  | 900070614A1    | BOLT           | -        | 2   | M6X14L  |             |

5 GOVERNOR OPERATION



| REF. | PART NUMBER    | PART NAME            | CODE NO. | QTY | REMARKS         | INTERCHANGE |
|------|----------------|----------------------|----------|-----|-----------------|-------------|
| 10   | 16071Z02041000 | GOVERNOR LEVER       | -        | 1   |                 |             |
| 20   | 16061Z02021000 | GOVERNOR ARM         | -        | 1   |                 |             |
| 25   | 90408Z01021000 | WASHER               | -        | 1   | 15DX6. 2DX0. 6T |             |
| 27   | 90682Z03021000 | OIL SEAL             | -        | 1   | 6DX11DX4B       |             |
| 30   | 16062Z02041000 | THROTTLE CTL LEVER   | -        | 1   |                 |             |
| 40   | 16012Z02022000 | TH RETURNING SPRING  | -        | 1   |                 |             |
| 50   | 90501Z01011000 | COTTER PIN           | -        | 1   |                 |             |
| 60   | 16072Z01011000 | BOLT                 | -        | 1   | M6X21L          |             |
| 70   | 90305060031    | NUT                  | -        | 1   | M6              |             |
| 80   | 16063Z02061000 | GOVERNOR SP CSC2P    | -        | 1   |                 |             |
| 667  | 900070614A1    | BOLT                 | -        | 3   | M6X14L          |             |
| 720  | 16757Z02012000 | FUEL VALVE BASE      | -        | 1   |                 |             |
| 725  | 900070514A1    | BOLT                 | -        | 1   |                 |             |
| 800  | 16520Z02081000 | SPEED CONTROL BKT AY | -        | 1   | W/BRAKE         |             |

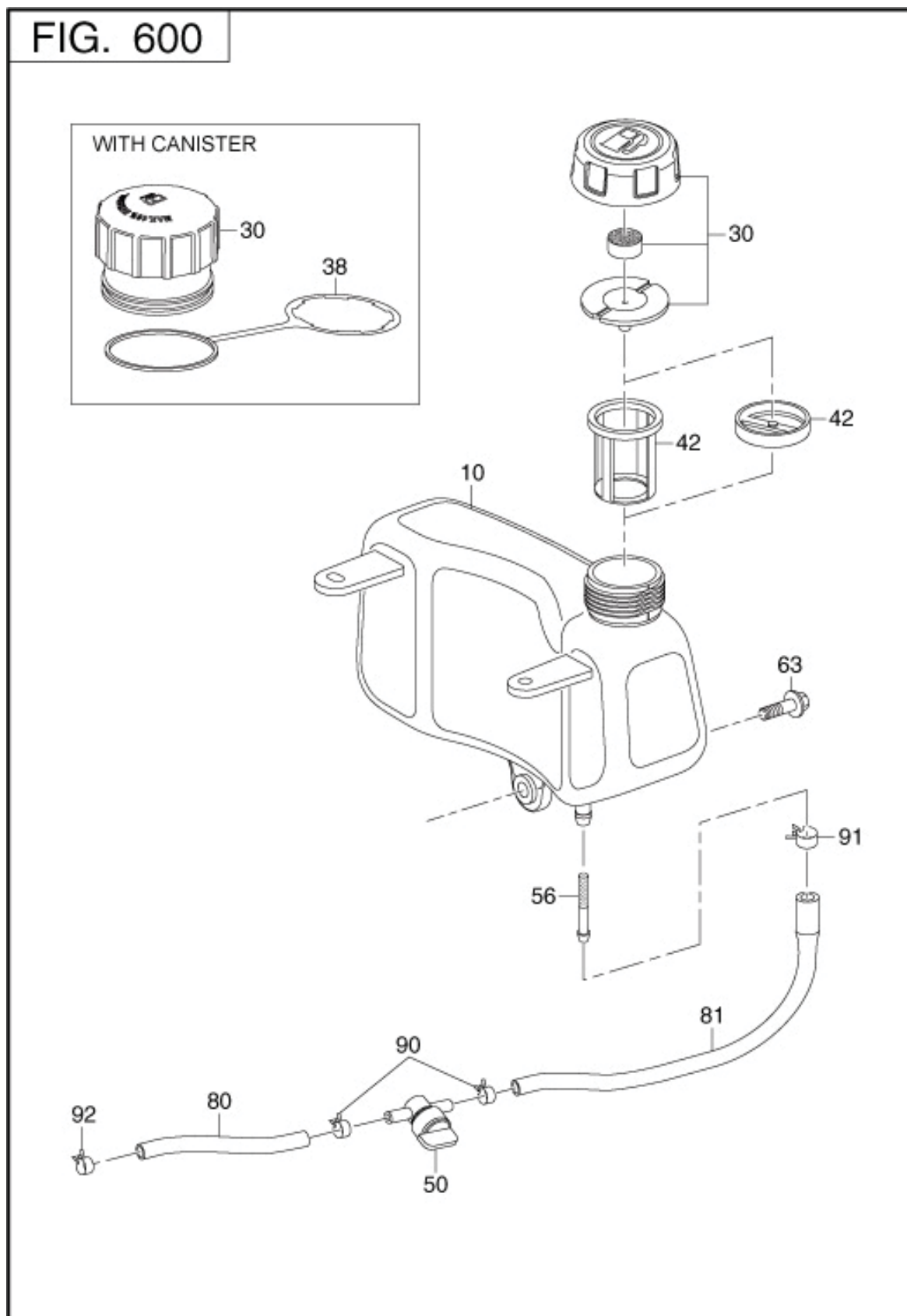
5 COOLING STARTING



EA190V70240 FIG.500

| REF. | PART NUMBER    | PART NAME           | CODE NO. | QTY | REMARKS | INTERCHANGE |
|------|----------------|---------------------|----------|-----|---------|-------------|
| 210  | 28200Z020510Q2 | RECOIL STARTER      | -        | 1   |         |             |
| 240  | 28239Z24011000 | PAWL                | -        | 2   |         |             |
| 241  | 28221Z03012000 | STARTER ROPE        | -        | 1   |         |             |
| 242  | 28210Z02021000 | RECOIL KNOB         | -        | 1   |         |             |
| 295  | 28001Z02012000 | STUD                | -        | 2   | M6X83L  |             |
| 296  | 28001Z02022000 | STUD                | -        | 1   | M6X68L  |             |
| 299  | 90305060031    | NUT                 | -        | 3   | M6      |             |
| 300  | 80001Z020410Q2 | ENGINE SHROUD MOWER | -        | 1   |         |             |
| 307  | 90254052051    | SCREW ASSY M5X20    | -        | 4   | M5X20L  |             |

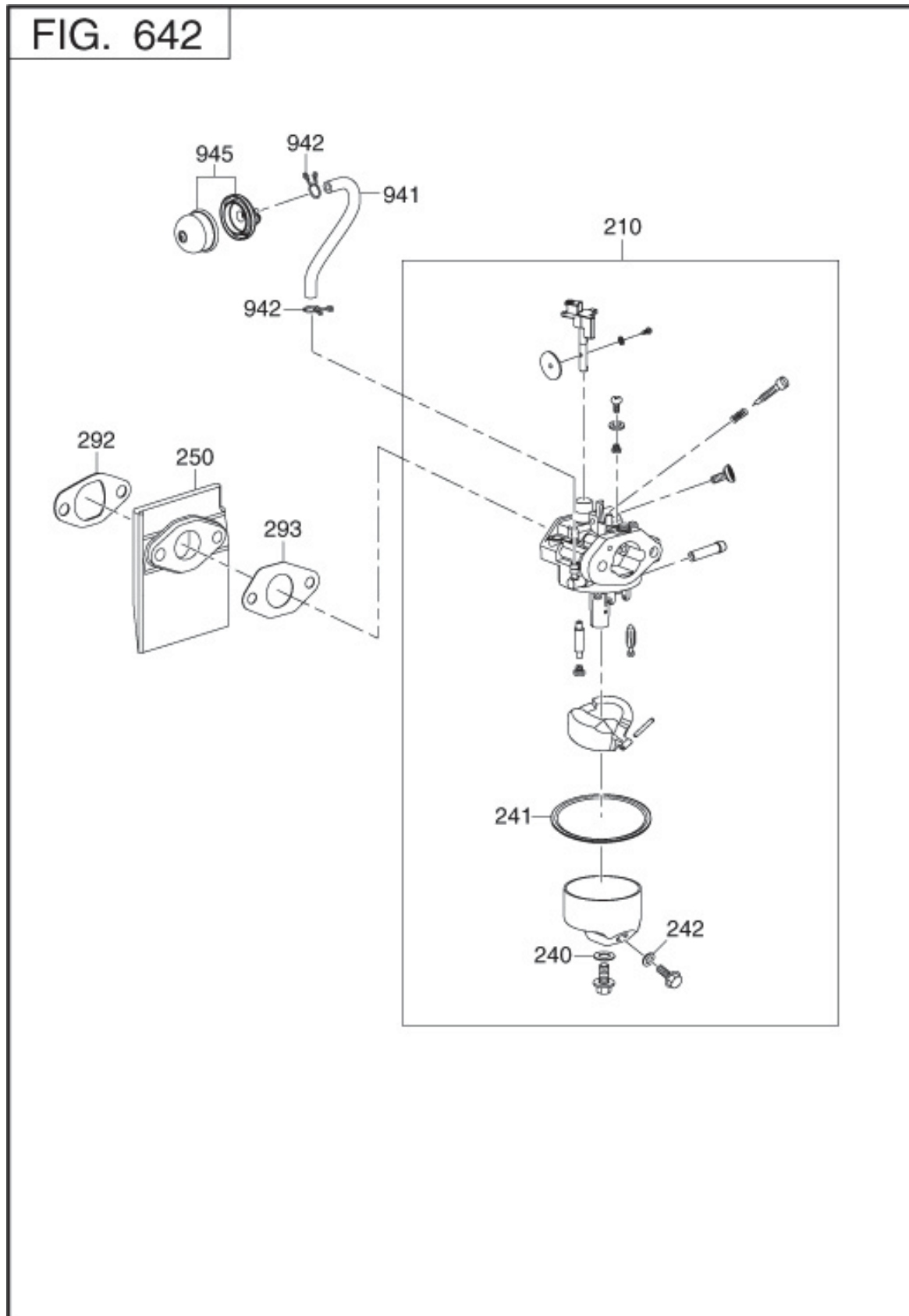
6 FUEL LUBRICANT





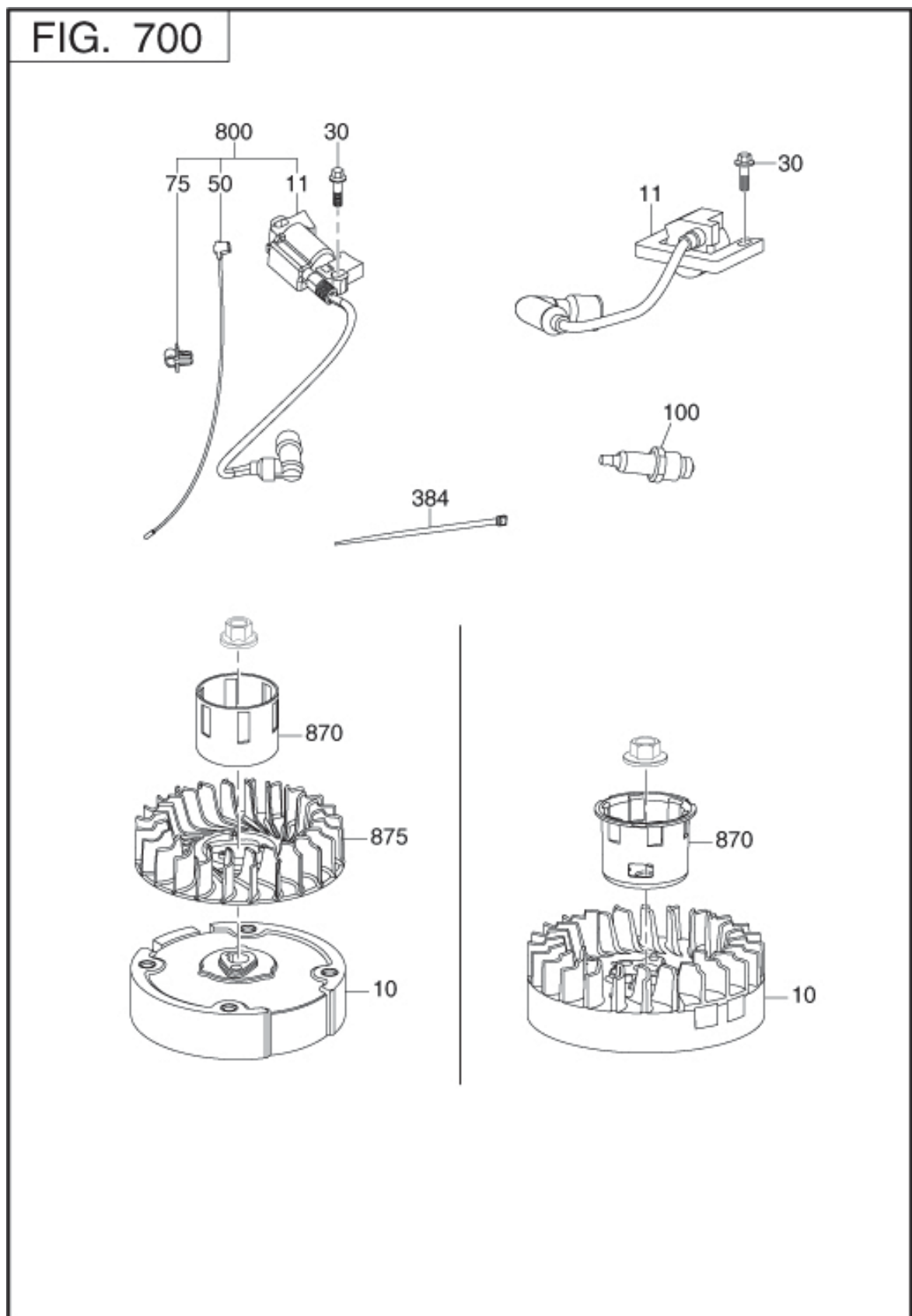
| REF. | PART NUMBER    | PART NAME       | CODE NO. | QTY | REMARKS          | INTERCHANGE |
|------|----------------|-----------------|----------|-----|------------------|-------------|
| 10   | 16620Z020410Q2 | FUEL TANK 0.95L | -        | 1   |                  |             |
| 30   | 16730Z020210G4 | TANK CAP ASSY   | -        | 1   |                  |             |
| 42   | 16672Z020210QG | FUEL LEVEL      | -        | 1   |                  |             |
| 50   | 16752Z02011000 | FUEL VALVE      | -        | 1   |                  |             |
| 56   | 16652Z03011000 | FUEL FILTER     | -        | 1   |                  |             |
| 63   | 900070625A1    | BOLT            | -        | 1   | M6X25L           |             |
| 80   | 90686Z02021000 | FUEL HOSE       | -        | 1   |                  |             |
| 81   | 90686Z02032000 | FUEL HOSE       | -        | 1   |                  |             |
| 90   | 90685Z02011000 | HOSE CLAMP      | -        | 2   | 9. 5DX8DX0. 8T   |             |
| 91   | 90685Z02021000 | HOSE CLAMP      | -        | 1   | 11. 5DX10BX0. 8T |             |
| 92   | 90685Z03022000 | HOSE CLAMP      | -        | 1   | 7. 5DX8DX0. 8T   |             |

6 FUEL LUBRICANT



| REF. | PART NUMBER    | PART NAME          | CODE NO. | QTY | REMARKS | INTERCHANGE |
|------|----------------|--------------------|----------|-----|---------|-------------|
| 210  | 16100Z02051001 | CARBURETOR ASSY    | -        | 1   |         |             |
| 240  | 90681Z02011000 | O-RING             | -        | 1   |         |             |
| 241  | 16112Z02011000 | O-RING,FUEL CUP    | -        | 1   |         |             |
| 242  | 90409Z02011000 | PACKING,DRAIN BOLT | -        | 1   |         |             |
| 250  | 16003Z02012000 | INSULATOR          | -        | 1   |         |             |
| 292  | 16002Z02011000 | INSULATOR GASKET   | -        | 1   |         |             |
| 293  | 16001Z02012000 | CARBURETOR GASKET  | -        | 1   |         |             |
| 941  | 16211Z02021000 | PRIMER PIPE        | -        | 1   |         |             |
| 942  | 90685070001    | HOSE CLAMP         | -        | 2   |         |             |
| 945  | 16210Z25012000 | PRIMER             | -        | 1   |         |             |

7 ELECTRIC DEVICE



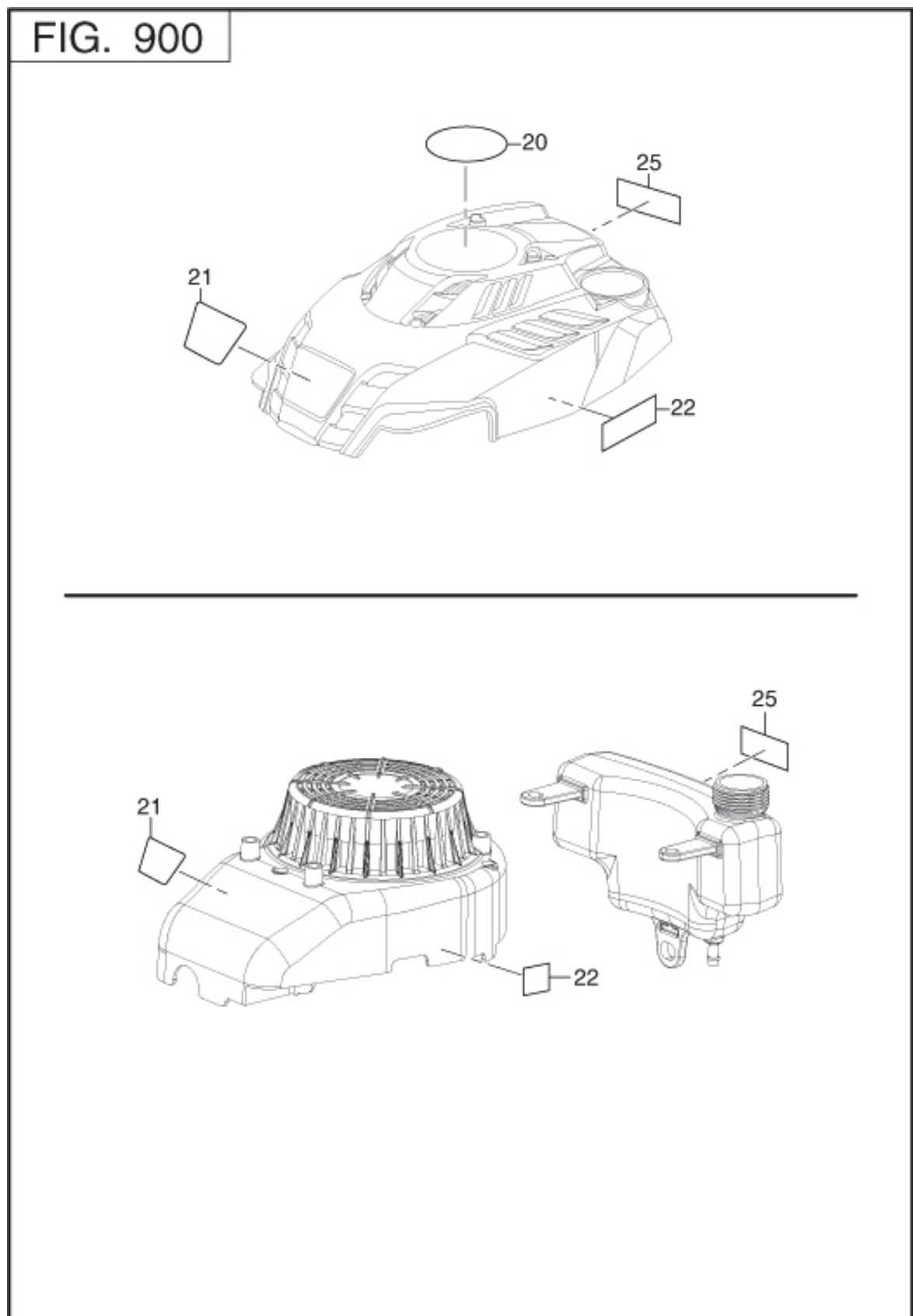
---

EA190V70240 FIG.700

---

| REF. | PART NUMBER    | PART NAME     | CODE NO. | QTY | REMARKS | INTERCHANGE |
|------|----------------|---------------|----------|-----|---------|-------------|
| 10   | 13510Z02031000 | FLY WHEEL     | -        | 1   |         |             |
| 11   | 30400Z02061000 | IGNITION COIL | -        | 1   |         |             |
| 30   | 900070625A1    | BOLT          | -        | 1   | M6X25L  |             |
| 100  | 30010Z02012000 | SPARK PLUG    | -        | 1   |         |             |
| 870  | 28002Z02021000 | START CUP     | -        | 1   |         |             |

9 ACCESSORIES LABEL



| REF. | PART NUMBER    | PART NAME           | CODE NO. | QTY | REMARKS | INTERCHANGE |
|------|----------------|---------------------|----------|-----|---------|-------------|
| 20   | 88013Z02021000 | TRADE MARK LABEL    | -        | 1   |         |             |
| 22   | 88025Z02052000 | FUEL COCK LABEL CSC | -        | 1   |         |             |
| 25   | 88001Z02011000 | WARNING LABEL       | -        | 1   |         |             |